

---

# NORDSTROM POLY-GAS<sup>®</sup> VALVES

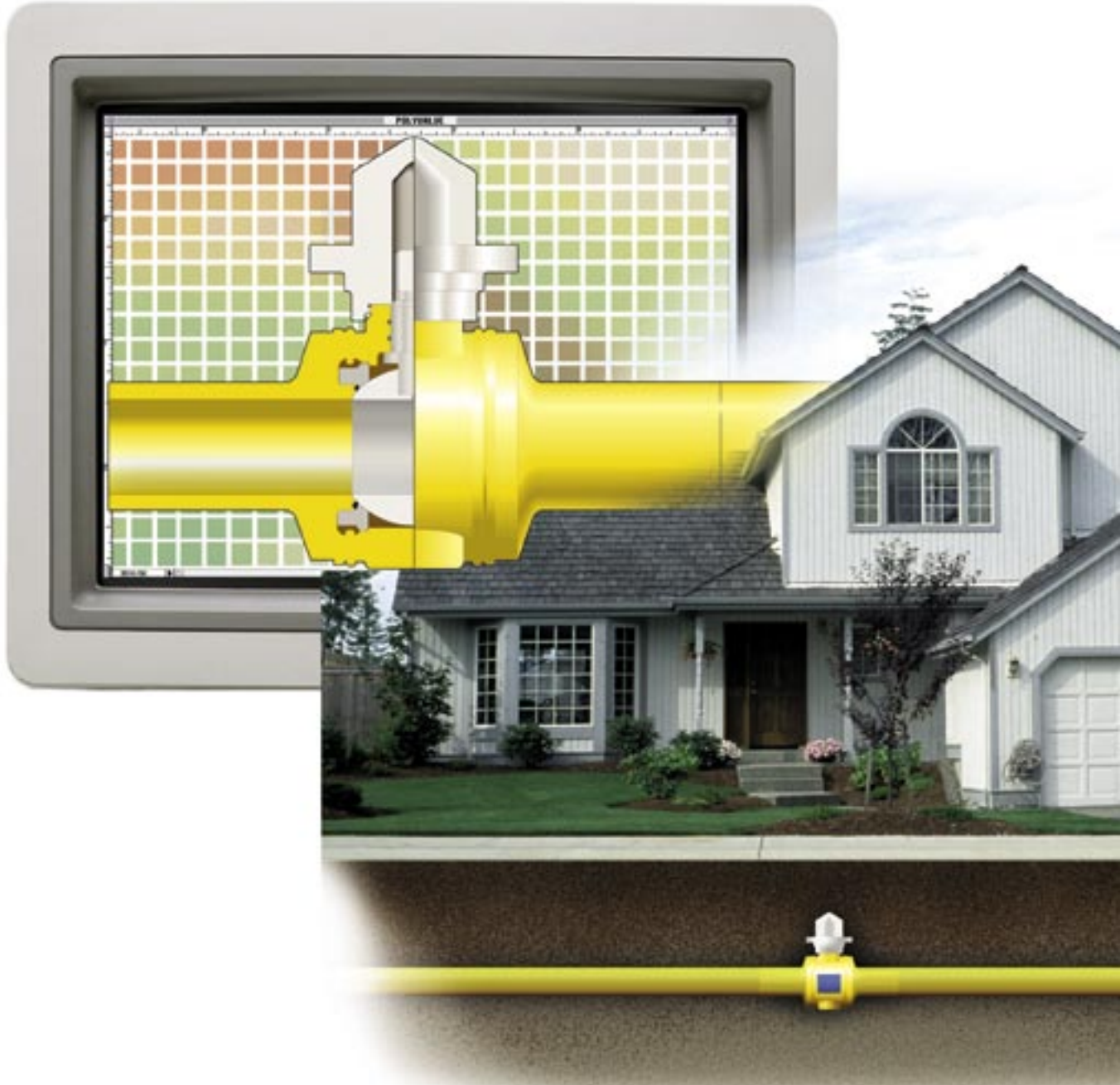
---

## POLYETHYLENE VALVES

---

### FOR NATURAL GAS

---

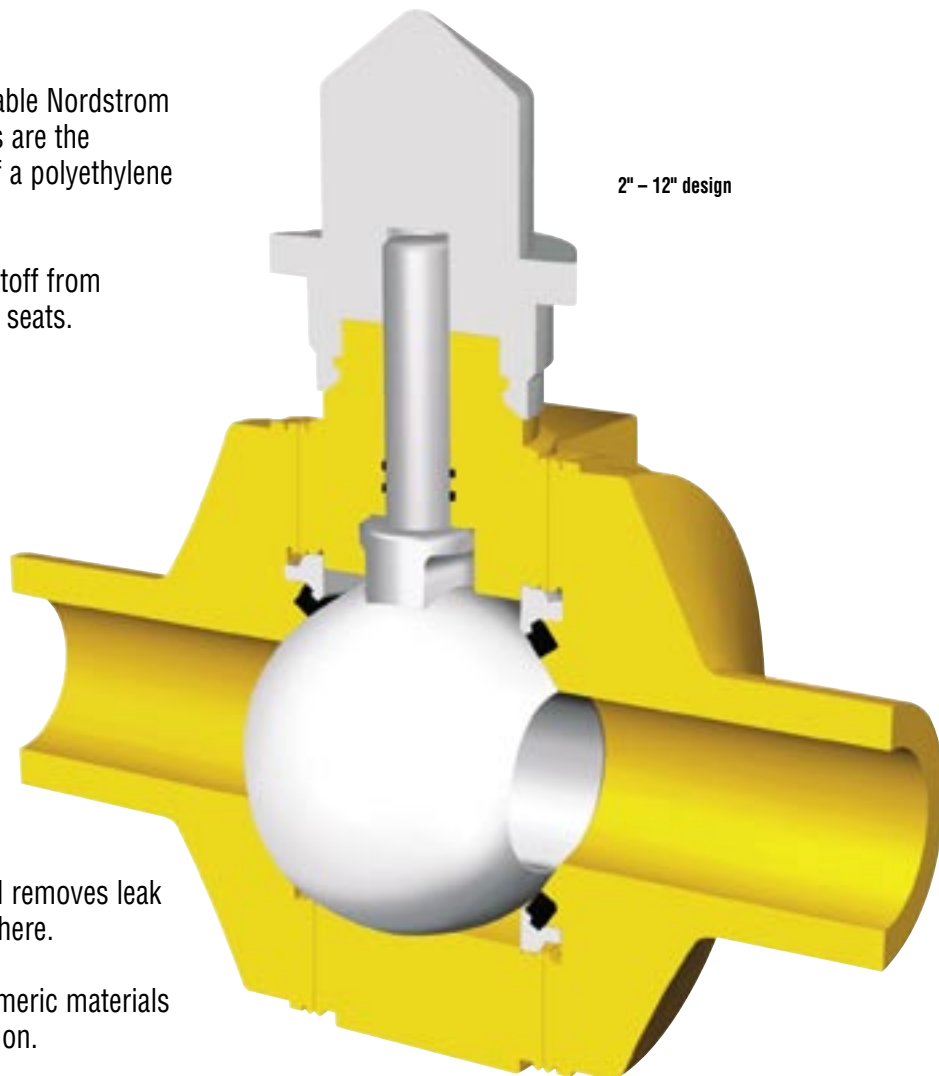


# Why use Flowserve Nordstrom Poly-Gas<sup>®</sup> Valves?

**Nordstrom Poly-Gas<sup>®</sup> valves are everything you'd expect from the company that invented polyethylene valves.**

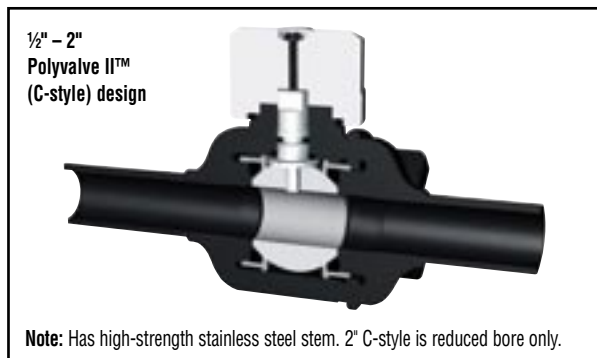
More than **two million** Nordstrom Poly-Gas<sup>®</sup> valves have been sold since 1976 and are in use throughout the world. Here's why:

- Rugged and reliable Nordstrom Poly-Gas<sup>®</sup> valves are the strongest part of a polyethylene piping system.
- Bubble-tight shutoff from dual elastomeric seats.



2" - 12" design

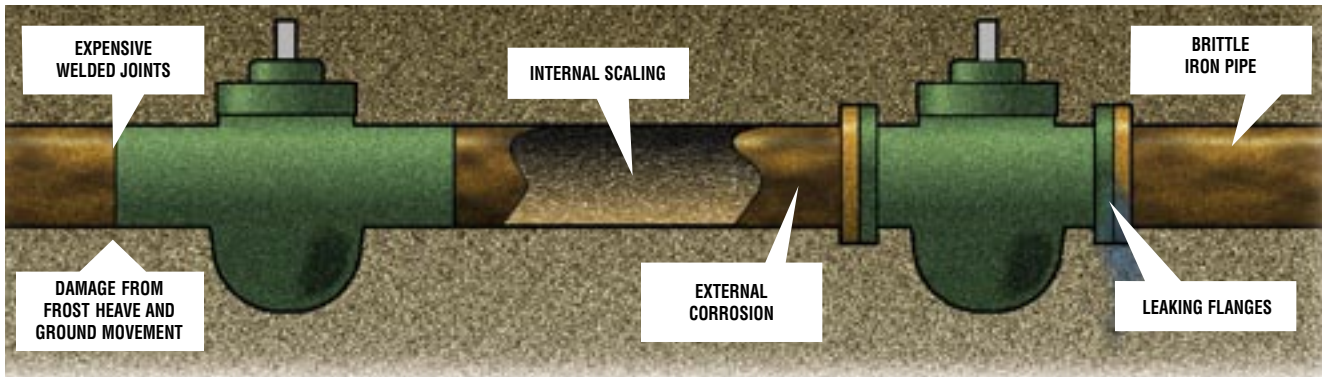
- Fused body shell removes leak paths to atmosphere.
- High-grade polymeric materials eliminate corrosion.
- Multiple elastomeric stem seals.
- No metal internal parts.
- Smooth bore gives excellent flow characteristics in both full and reduced port designs.



1/2" - 2"  
Polyvalve II™  
(C-style) design

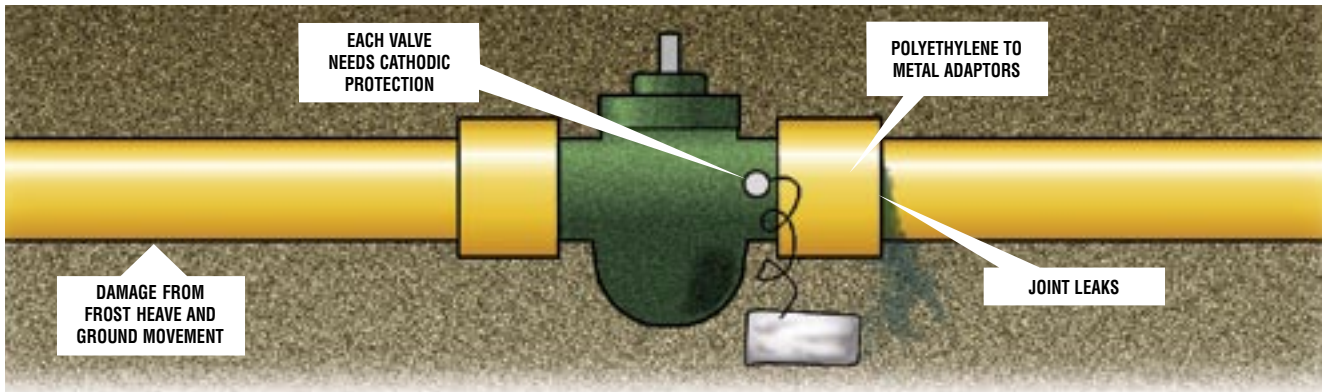
Note: Has high-strength stainless steel stem. 2" C-style is reduced bore only.

# Why use polyethylene valves?



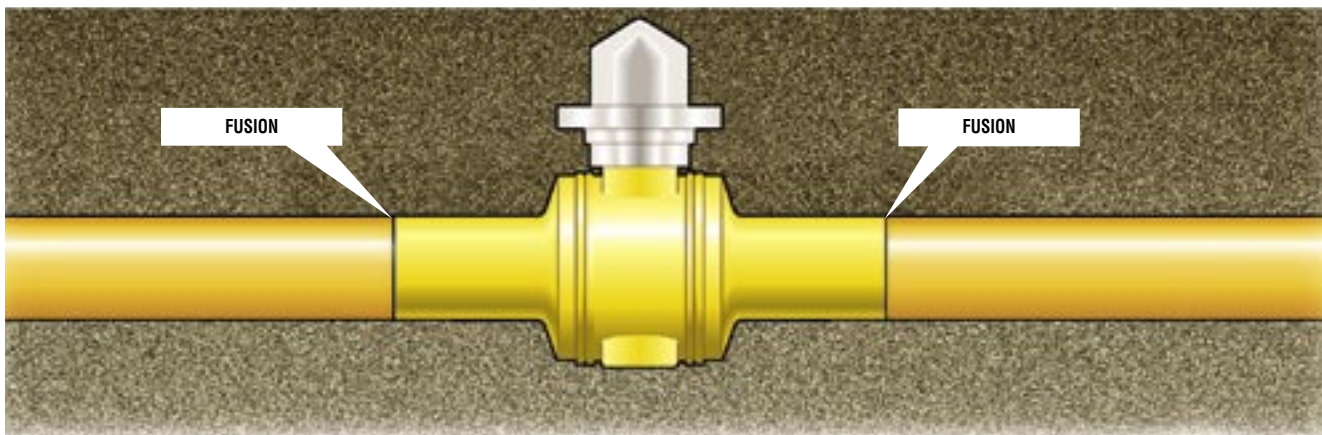
## All Metal System (Welded or Bolted):

- Subject to external corrosion, internal scaling and damage from ground movement.
- Seismic activity, frost heave or settling can rupture brittle iron pipe.



## Polyethylene Pipe-to-Metal Valve Systems:

- Subject to the inherent weakness of combining incompatible materials.
- May suffer damage from ground movement.
- Leaks may occur where the polyethylene and metal meet.
- Requires cathodic protection for each metal valve to prevent corrosion.



## All-Polyethylene Systems:

- Intrinsically safe.
- Pipe is fused to the valves so there are no leak points.
- No chance of corrosion.
- Little chance of rupture because polyethylene systems flex when the ground moves.

# Poly-Gas<sup>®</sup> Valve Availability

## MATERIALS

### Materials of Construction

Item	½" through 2" Polyvalve II™ (C-style)	2" through 12"
<b>Body</b>	Polyethylene	Polyethylene
<b>Ball</b>	Acetal	Polypropylene
<b>Seat Retainer</b>	Acetal	Polypropylene
<b>Seat</b>	Buna N	Buna N
<b>Stem</b>	Stainless Steel	Acetal
<b>Stem Seal</b>	Buna N	Buna N
<b>Ground Water Seal</b>	Neoprene	Neoprene
<b>Wrench Adapter</b>	Acetal	Polypropylene*
<b>Adapter Screw</b>	Stainless Steel	
<b>Adapter Button</b>	Acetal	

*\*Note: 12" has gear box and cast iron 2" square nut adaptor.  
8" will have a choice of either gearing or wrench.  
2" C-style is Reduced Bore only.*

### Body Materials Chart

Resin Supplier	Material Designation	Color	ASTM Material Designation	Material Density
CP Chem	TR-418 (D6500)	Yellow	PE 2406	Medium
CP Chem	TR-480 (D6800)	Black	PE 3408	High
CP Chem	H-516 (D8100)	Black	PE 3408	High
Fina	3407B	Black	PE 3408	High

*Note: On 8" full bore and 12" full bore only the main body section is available in TR-480 material but different pipe ends are fused on to suit customer's requirements.*

## CODES AND STANDARDS

- Flowserve Nordstrom Poly-Gas<sup>®</sup> valves meet or exceed the requirements of:
  - U.S. Department of Transportation 49CFR, Part 192
  - ANSI B16.40
  - ASTM D-2513
- In addition, as required by customers, certain sizes and materials of valves meet or exceed the requirements of CSA B137.0 and B137.4
- Nordstrom Poly-Gas<sup>®</sup> valves have successfully passed 10,000-hour tests to ISO 4437
- Flowserve Nordstrom Valves is an ISO 9001 certified company.

## APPLICATIONS

For use in:

- Natural gas distribution
- Natural gas gathering
- Landfill gas (methane)
- Hydrocarbon fuel gases
- Hydrogen
- Air
- Other inert gases (helium, argon, neon)



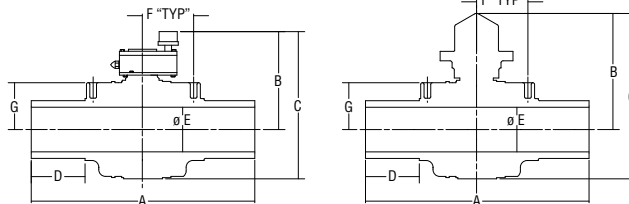
12" Poly-Gas<sup>®</sup> valve installation

# Poly-Gas<sup>®</sup> Valve Availability

## Poly-Gas<sup>®</sup> Valve Availability Chart (Ball Valves for Natural Gas)

Size (Inches)	Size (Metric)	Body Pieces	Bore	Vent Pipe Size (IPS)		End Config.	C <sub>v</sub>	K <sub>v</sub>	Equiv. Feet of Pipe	Available SDRs
				Min	Max					
½	16-20	2	full †			BF* or SF**	18	260	2	9.3
¾	25	2	full †			BF	25	361	3.2	9.3, 10, 11
1	32	2	reduced †			BF	40	577	3.8	9.3, 11, 12.5
1¼	40	2	reduced †			BF	45	649	9.6	9.3, 11, 12.5
2	55-63	3	full	½"	¾"	BF	175	2528	3.8	9.3, 11
	50-63	2	reduced †			BF	110	1586	9.6	9.3, 11
3	90	3	full	½"	¾"	BF	390	5624	5.3	9.3, 11, 13.5
	90	3	reduced			BF	240	3461	14.1	9.3, 11, 13.5
4	100-110	3	full	¾"	1"	BF	700	10094	5.8	9.3, 11, 13.5
	100-110	3	reduced			BF	400	5768	17.8	9.3, 11, 13.5
6	150-160-180	3	full	1"	1¼"	BF	1800	25957	6.1	9.3, 11, 13.5
	125-160	3	reduced			BF	900	12978	24.3	9.3, 11, 13.5
8	225	2	full	1"	1¼"	BF	3650	52633	5.5	11, 13.5
	225	3	reduced			BF	1350	19467	40.3	9.3, 11, 13.5
12	315	3	full			BF	7000	73542	10.6	11, 13.5

### Dimension Data



Note: C<sub>v</sub> in US gal/min @ 1 psi ΔP  
K<sub>v</sub> in litres/min @ 1 bar ΔP

\* Butt Fusion  
\*\* Socket Fusion  
† Polyvalve II™ (C-Style) Valves

### ANSI Valve Dimensions

Size	Bore	A	B	C	D	E	F	G	Weight (lbs.)
½	full	10.0	3.4	4.8	2.8	0.50			1.2
¾	full	10.0	3.4	4.8	2.8	0.75			1.2
1	reduced	10.0	3.4	4.8	2.8	0.90			1.2
1¼	reduced	10.0	3.4	4.8	2.8	0.90			1.2
2	full	14.7	6.4	9.1	3.6	1.85	2.7*	2.4*	3.8
	reduced	13.0	4.5	6.5	3.7	1.35			3.1
3	full	15.0	8.0	11.4	4.0	2.50			8.9
	reduced	12.8	6.4	9.1	3.6	1.85			4.5
4	full	20.0	10.4	15.0	4.5	3.62	5.0*	3.75*	19.5
	reduced	15.0	8.0	11.4	4.0	2.50			8.9
6	full	25.0	12.6	18.6	5.0	5.20	6.6*	5.1*	38.0
	reduced	20.0	10.4	15.0	5.3	3.62			23.0
8	full	69.5	12.5	19.9	24.0	6.66	7.7	7.00	98.0
	reduced	20.0	12.6	18.6	5.0	4.78			42.5
<b>Gear Operated</b>									
8	full	69.5	14.3	22.1	25.7	6.66	7.7	7.0	134.0
12	full	83.8	17.5	27.7	30.0	9.91			305.0

### Metric Valve Dimensions

Size	Bore	A	B	C	D	E	F	G	Weight (kg)
16-20	full	254	86	122	71	12.7			0.5
25	full	254	86	122	71	19.1			0.5
32	reduced	254	86	122	71	22.9			0.5
40	reduced	254	86	122	71	22.9			0.5
55-63	full	373	164	231	91	47.0	69*	61*	1.7
50-63	reduced	330	115	165	94	34.3			1.4
90	full	381	203	290	102	63.5			4.0
	reduced	325	164	231	91	47.0			2.0
100-110	full	508	264	381	114	91.9	127*	95*	8.8
	reduced	381	203	290	102	63.5			4.0
150-160 & 180	full	635	320	472	127	132.1	168*	130*	17.2
125-160	reduced	508	263	381	133	91.9			10.4
225	full	1765	318	504	610	169.2	196	177.8	44.5
	reduced	508	320	472	127	121.4			19.3
<b>Gear Operated</b>									
225	full	1765	363	561	653	169.2	196	178	60.8
315	full	2129	443	704	762	251.7			138.3

\*Optional vent holes. Contact factory for other vent options.

Note: Valves are generally available in these metric sizes and may be available in other metric dimensions. Due to wall thickness considerations, all SDRs in some sizes may not be available. Contact your Flowserve representative for exact availability.

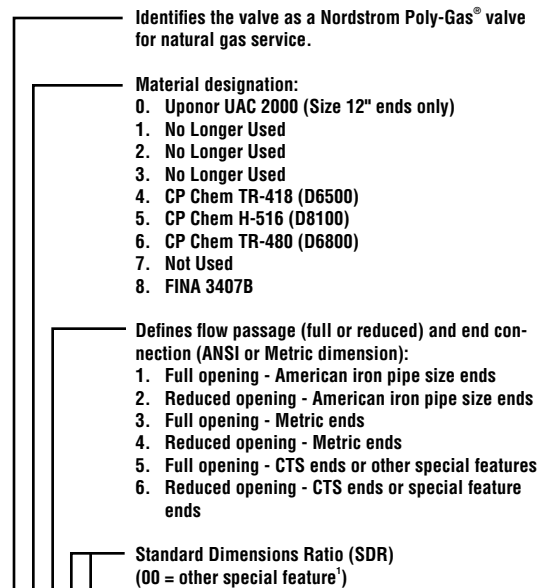
# How to Order

Please provide the following information when you order:

- Valve size
- Valve body material
- Bore type (full or reduced)
- Standard Dimension Ratio (SDR) number
- End configuration (butt fusion or socket fusion)
- Special service conditions

## Flowserve Nordstrom Poly-Gas® Valve Figure Number System

The Poly-Gas® valve figure number system utilizes a five digit number which describes the valves as shown below.



<sup>1</sup> Special feature ends include integral socket ends, stub end SDR, etc.



From the 1/2" ball valve to the industry's first 12-inch polyethylene ball valve, Nordstrom Poly-Gas® valves are available in the widest range of sizes on the market today. They are shipped in cartons to shield them from ultraviolet light and to protect the valve ends from damage.



**Flowserve Corporation**  
1-800-225-6989

Email: [nmkt@flowserve.com](mailto:nmkt@flowserve.com)  
or visit [www.flowserve.com](http://www.flowserve.com)

### Authorized Distributors

For detailed information on these and other Nordstrom products, call your customer service representative for the name and number of the nearest authorized Nordstrom distributor.

**Flowserve Nordstrom Valves**  
1511 Jefferson Street  
Sulphur Springs, Texas 75482  
USA

**United States**  
Telephone: 903-885-4691 or 4693  
FAX: 903-439-3411

**Latin America**  
Telephone: 903-439-3407  
FAX: 903-439-3411

**Other Countries**  
Telephone: 903-885-4692  
FAX: 903-439-3404

Flowserve Corporation has established industry leadership in the design and manufacture of its products. When properly selected, this Flowserve product is designed to perform its intended function safely during its useful life. However, the purchaser or user of Flowserve products should be aware that Flowserve products might be used in numerous applications under a wide variety of industrial service conditions. Although Flowserve can (and often does) provide general guidelines, it cannot provide specific data and warnings for all possible applications. The purchaser/user must therefore assume the ultimate responsibility for the proper sizing and selection, installation, operation, and maintenance of Flowserve products. The purchaser/user should read and understand the Installation Operation Maintenance (IOM) instructions included with the product, and train its employees and contractors in the safe use of Flowserve products in connection with the specific application.

While the information and specifications contained in this literature are believed to be accurate, they are supplied for informative purposes only and should not be considered certified or as a guarantee of satisfactory results by reliance thereon. Nothing contained herein is to be construed as a warranty or guarantee, express or implied, regarding any matter with respect to this product. Because Flowserve is continually improving and upgrading its product design, the specifications, dimensions and information contained herein are subject to change without notice. Should any question arise concerning these provisions, the purchaser/user should contact Flowserve Corporation at any one of its worldwide operations or offices.